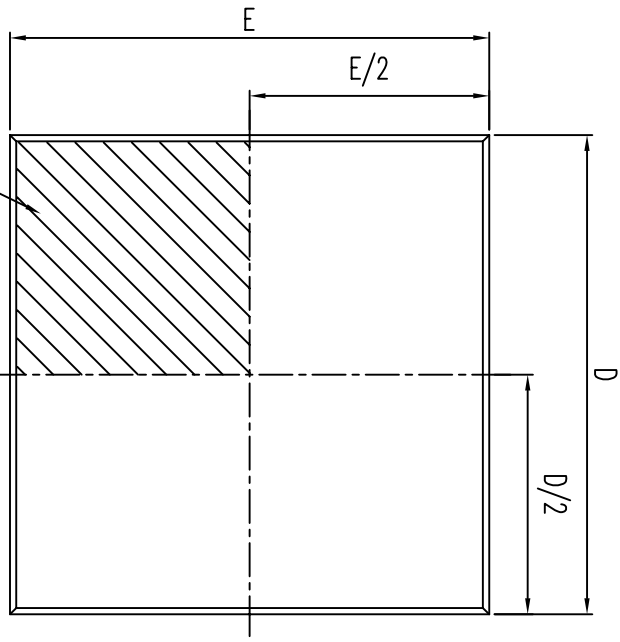
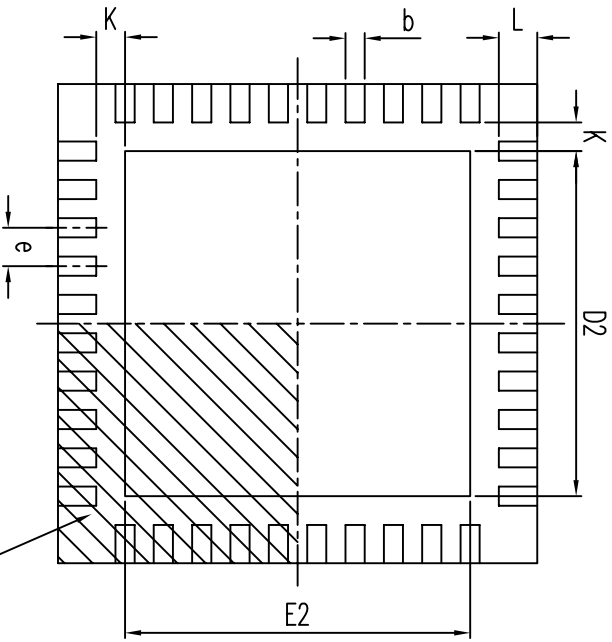


REV.	DESCRIPTION	BY	DATE
ORIG.	DRAWING ISSUE	SANDY CHEN	02.11.2015

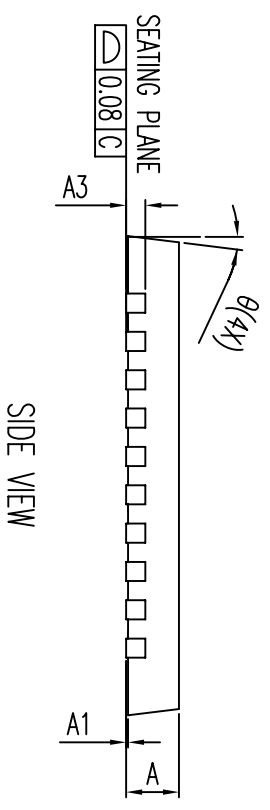
TOP VIEW



BOTTOM VIEW



SYMBOL	DIMENSION IN MM		
	MIN.	NOM.	MAX.
A	0.50	0.55	0.60
A1	0	0.02	0.05
A3	0.20 REF.		
D	5.00 BASIC		
D2	3.45	3.60	3.75
E	5.00 BASIC		
E2	3.45	3.60	3.75
e	0.40 BASIC		
b	0.15	0.20	0.25
L	0.30	0.40	0.50
K	0.20		
θ	0°		14°
JEDEC			



TERMINAL #1  
INDEX AREA  
(D/2 X E/2)

TERMINAL #1  
INDEX AREA  
(D/2 X E/2)

<b>CWT</b> Chant World Technology Inc.		<input type="checkbox"/>	<input checked="" type="checkbox"/>	ANGULAR	±
TITLE UQFN 40L PACKAGE OUTLINE		XX XXXX	±0.005	ROUGH-	✓
BODY SIZE : 5 X 5 MM		XX XXXX	±0.035	NESS	
DESIGNED SANDY CHEN 02.11.2015		XX	±0.05	SCALE	18 : 1
CHECKED SANDY CHEN 02.11.2015		XX	±0.1	QTY	
APPROVED SANDY CHEN 02.11.2015		XX	±0.2		
FILE NAME :	UQFN40L(5x5x0.55)	DWG. NO. :	CW-PY-005A		